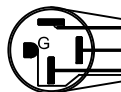


NOTES:

Control Wire:
16 AWG, 105°C
Power Wire:
10 AWG, 150°C

Industrial & commercial applications may require the installation of a LOCKOUT/TAGOUT device to prevent the Kiln from operating during maintenance.

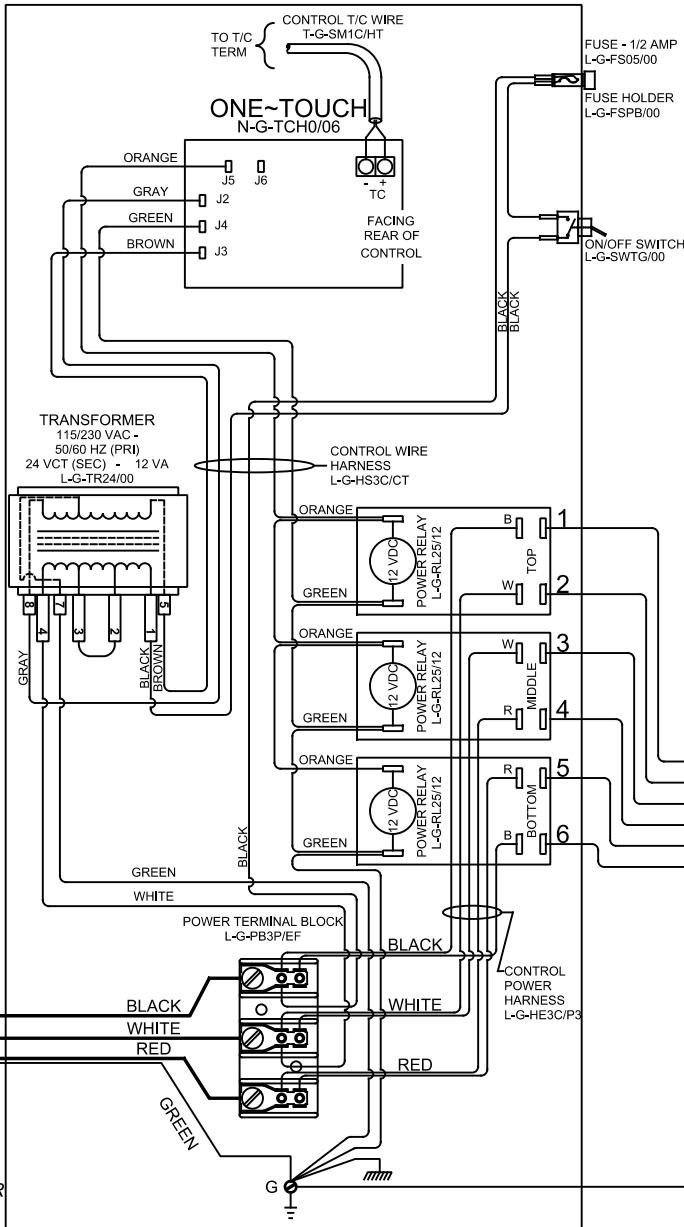
This Kiln is recommended to be wired & connected to an approved U. L. & NEC configured receptacle controlled with a disconnect switch and properly fused according to the KW load load specification listed on the Kiln Nameplate. L&L Kiln Mfg., Inc., also recommends fuses rather than circuit breakers to prevent nuisance tripping.



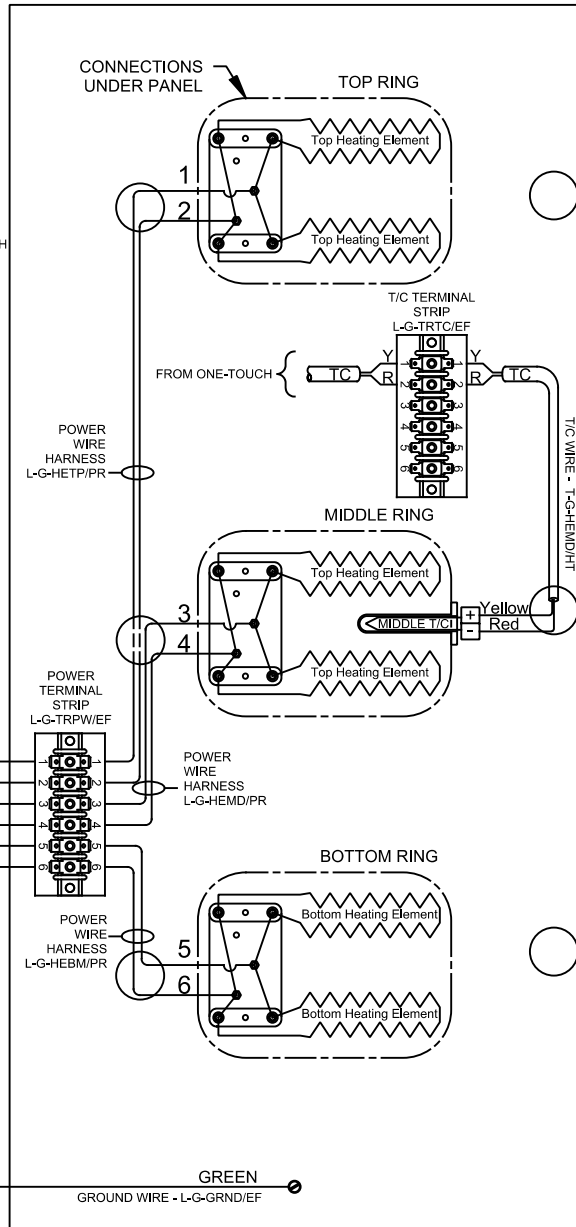
PLUG
208/240 VAC 3Ø
NEMA 15-50P
P/N L-G-PC50/3P

SAFETY SWITCH BY CUSTOMER
Connect to
240 Volt, 2 Wire, Single Phase - or
220 Volt, 2 Wire, Single Phase - or
208 Volt, 2 Wire, Single Phase
50 or 60 Cycles.

LOOKING INSIDE CONTROL PANEL



LOOKING AT OUTSIDE OF ELEMENT COVER PANEL



Model SM23T-208-3P			
VOLTAGE	208 / 3 / 50-60		
WATTS	11,000		
FULL LOAD AMPS	L1	L2	L3
	30.5	30.5	30.5
POWER SUPPLY	FUSE	WIRE	
	40A	8 AWG	
ELEMENTS	QTY	OHMS	
	4	23.0	
	2	22.2	

Model SM23T-220-3P			
VOLTAGE	220 / 3 / 50-60		
WATTS	11,400		
FULL LOAD AMPS	L1	L2	L3
	29.9	29.9	29.9
POWER SUPPLY	FUSE	WIRE	
	40A	8 AWG	
ELEMENTS	QTY	OHMS	
	4	24.8	
	2	24.0	

Model SM23T-240-3P			
VOLTAGE	240 / 3 / 50-60		
WATTS	11,520		
FULL LOAD AMPS	L1	L2	L3
	27.7	27.7	27.7
POWER SUPPLY	FUSE	WIRE	
	40A	8 AWG	
ELEMENTS	QTY	OHMS	
	4	29.3	
	2	28.3	

REV. #	DATE	REVISION DESCRIPTION