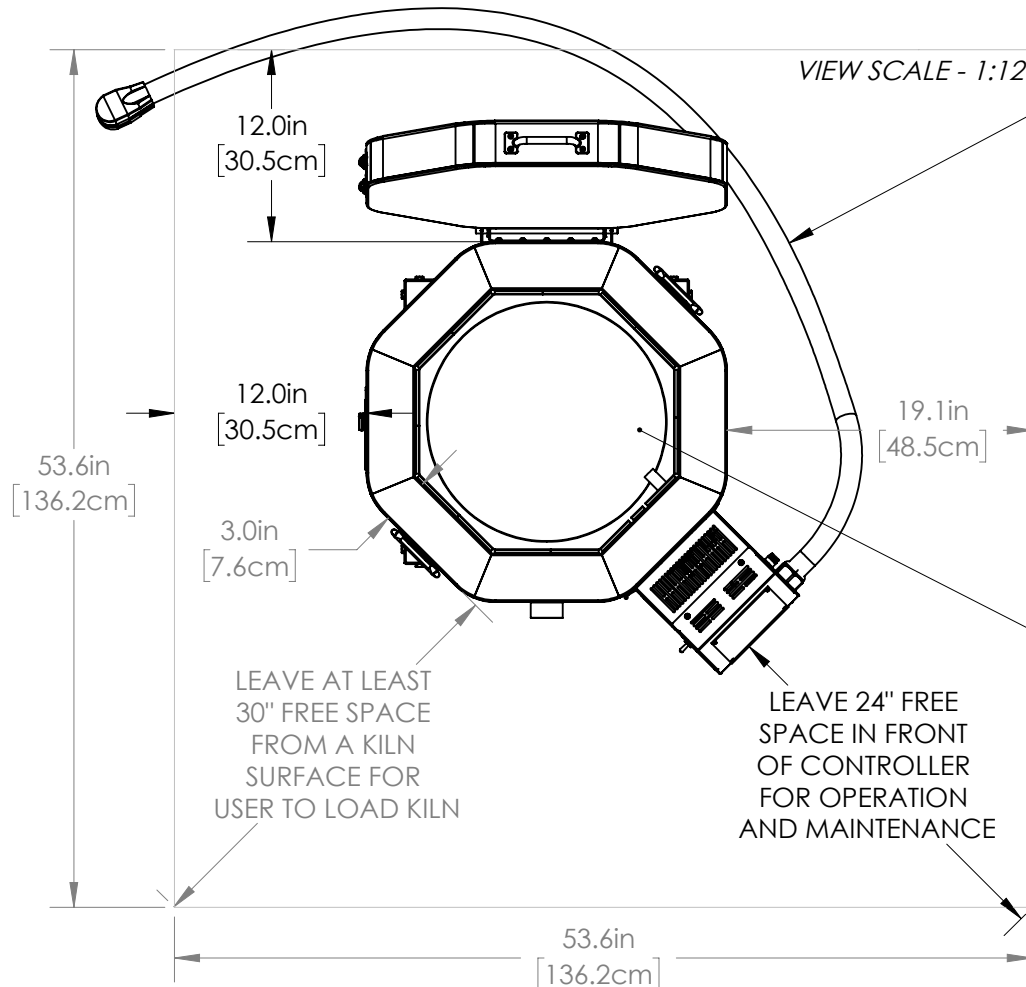


- WALL/KILN SPACING:** 12" [30.5cm] SPACING BETWEEN SIDES OF KILN AND WALLS OR OTHER OBJECTS. 18" [45.7cm] IS RECOMMENDED. LEAVE AT LEAST 18" [45.7cm] BETWEEN TWO KILNS.
- AMBIENT VENTILATION:** SEE CHART TO RIGHT FOR RATINGS. TO CALCULATE REQUIREMENTS, SEE hotkilns.com/calculate-kiln-room-ventilation.
- KILN VENTILATION:** L&L VENT-SURE KILN VENT RECOMMENDED FOR SAFETY AND LONGER ELEMENT LIFE. OPTIONAL CONTROL ALLOWS VENT TO BE TURNED ON AND OFF WITH CONTROL.

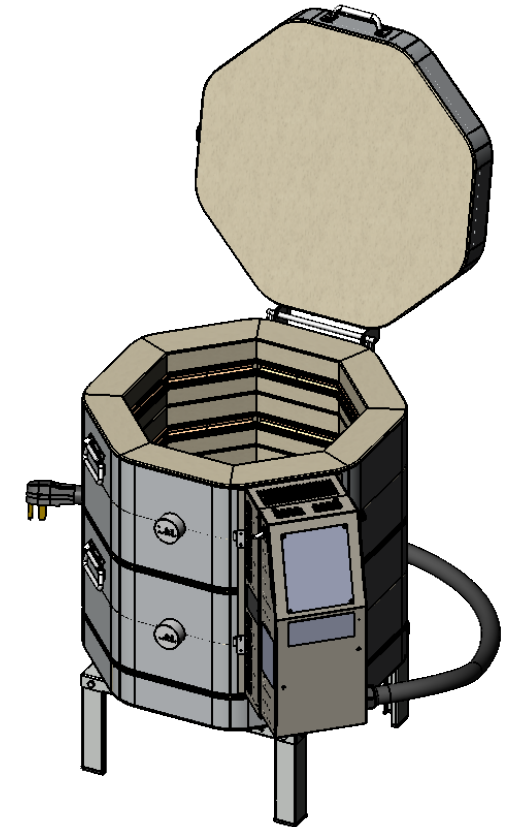
- OTHER INFO:** REFER TO INSTALLATION INSTRUCTIONS AND CAUTIONS INSTRUCTIONS FOR OTHER REQUIREMENTS AND SAFETY INFORMATION. REFER TO WIRING DIAGRAM FOR ELECTRICAL HOOKUP INFORMATION.
- MAX LOAD WEIGHT:** SEE hotkilns.com/load-weight.
- WEIGHT OF KILN:** 185 LBS, 84 KG

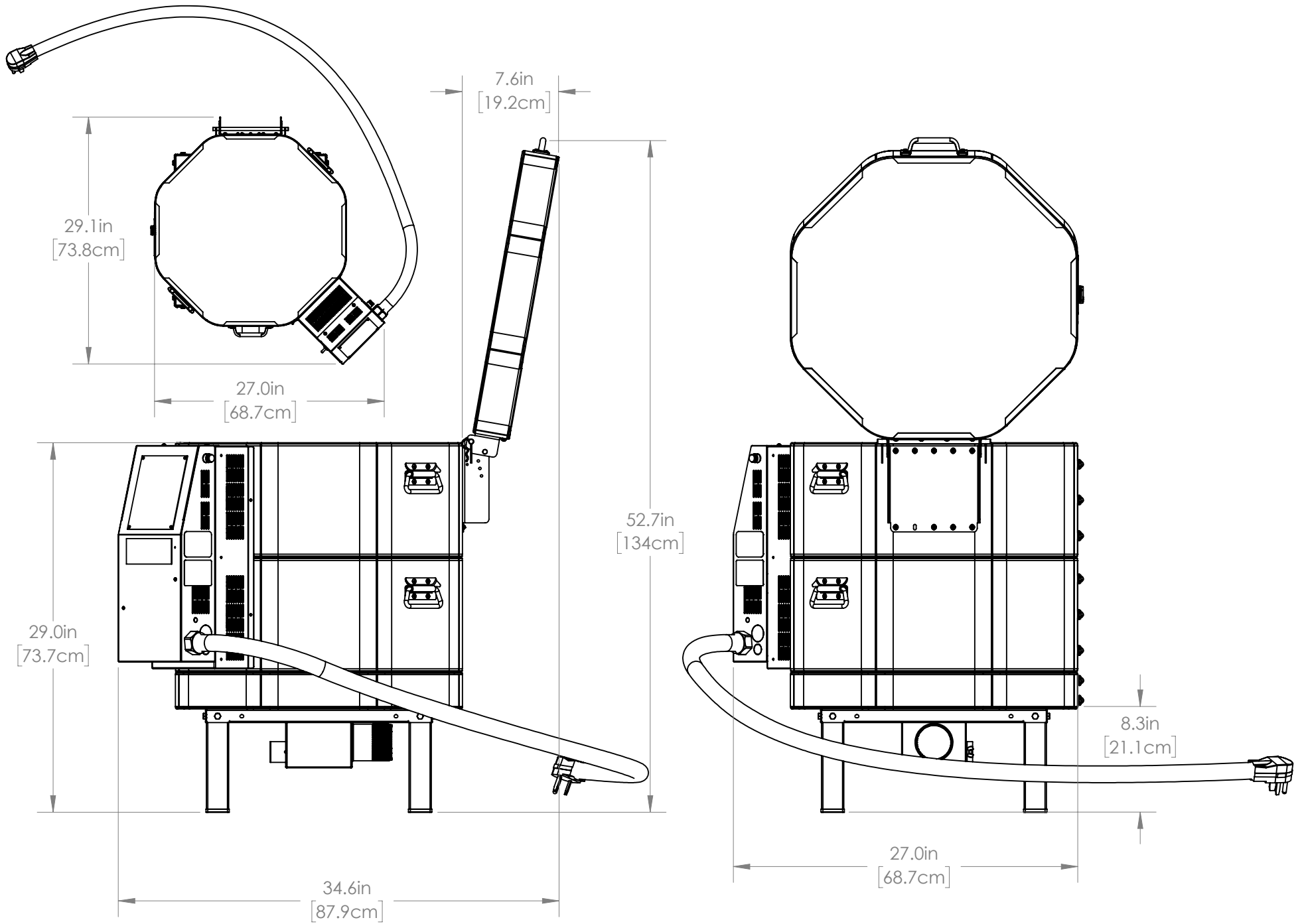
BTUS/ KILOJOULES PER HOUR NEEDED TO BE VENTED WITH AMBIENT ROOM VENTILATION (THIS IS IN ADDITION TO KILN VENTING):			
AT TEMP F	BTUS	AT TEMP C	KILOJOULES
1800F	6030	980C	6362
2000F	7049	1095C	7438
2232F	8324	1222C	8782
2350F	9009	1285C	9505



POWER CORD IS 6 FEET LONG: NEMA 6-50 FOR SINGLE PHASE OR 15-50 FOR THREE PHASE. ALTERNATELY KILN MAY BE HARD WIRED TO A FUSED DISCONNECT BOX. ALSO 6-30 AND 10-30 CORDS ARE AVAILABLE AS AN OPTION.

15" [38.1cm] KILN FURNITURE (OPTIONAL)





MADE FROM NEW	DRAWN BY SJL	DATE 09/01/19	SCALE 1:10	TITLE e18S-3 (3" BRICK) GENERAL DIMENSIONS		505 SHARPTOWN RD SWEDESBORO NJ 08085 PH: (856) 294-0077 FAX: (856) 294-0070	REV B	SHEET OF 2/3	DRAWING NO. 200-000-30-2
------------------	-----------------	------------------	---------------	---	---	--	-----------------	-----------------	-----------------------------

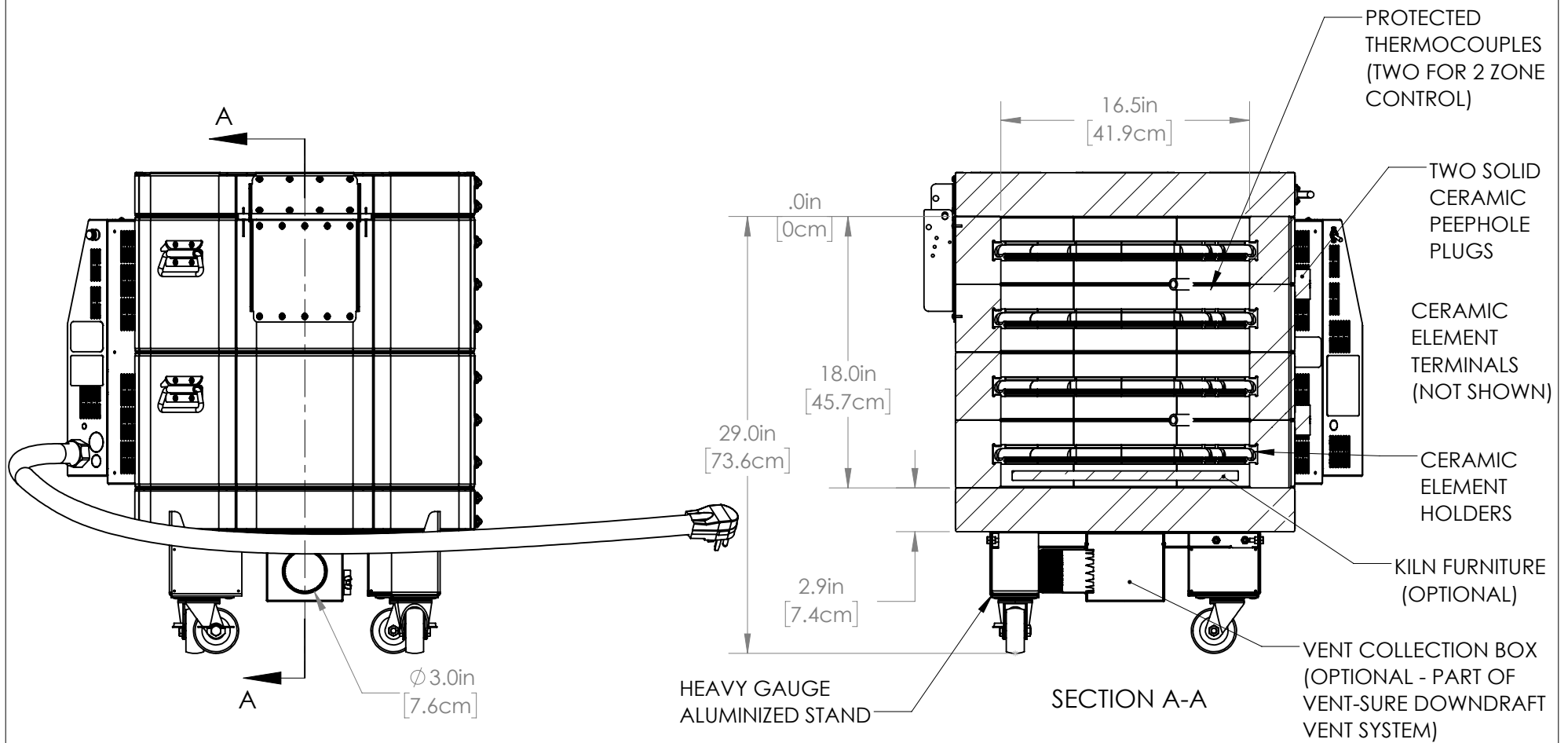
5

4

3

2

1



OPTIONAL FURNITURE KIT: (1) 15" [38.1cm] FULL ROUND SHELF, (4) HALF ROUND SHELVES, FOUR EACH 1/2", 1", 2", 4", 6" SQUARE POSTS

MADE FROM NEW	DRAWN BY SJL	DATE 09/01/19	SCALE 1:10	TITLE e18S-3 (3" BRICK) GENERAL DIMENSIONS		505 SHARPTOWN RD SWEDESBORO NJ 08085 PH: (856) 294-0077 FAX: (856) 294-0070	REV B	SHEET OF 3/3	DRAWING NO. 200-000-30-2
------------------	-----------------	------------------	---------------	---	---	--	----------	-----------------	-----------------------------