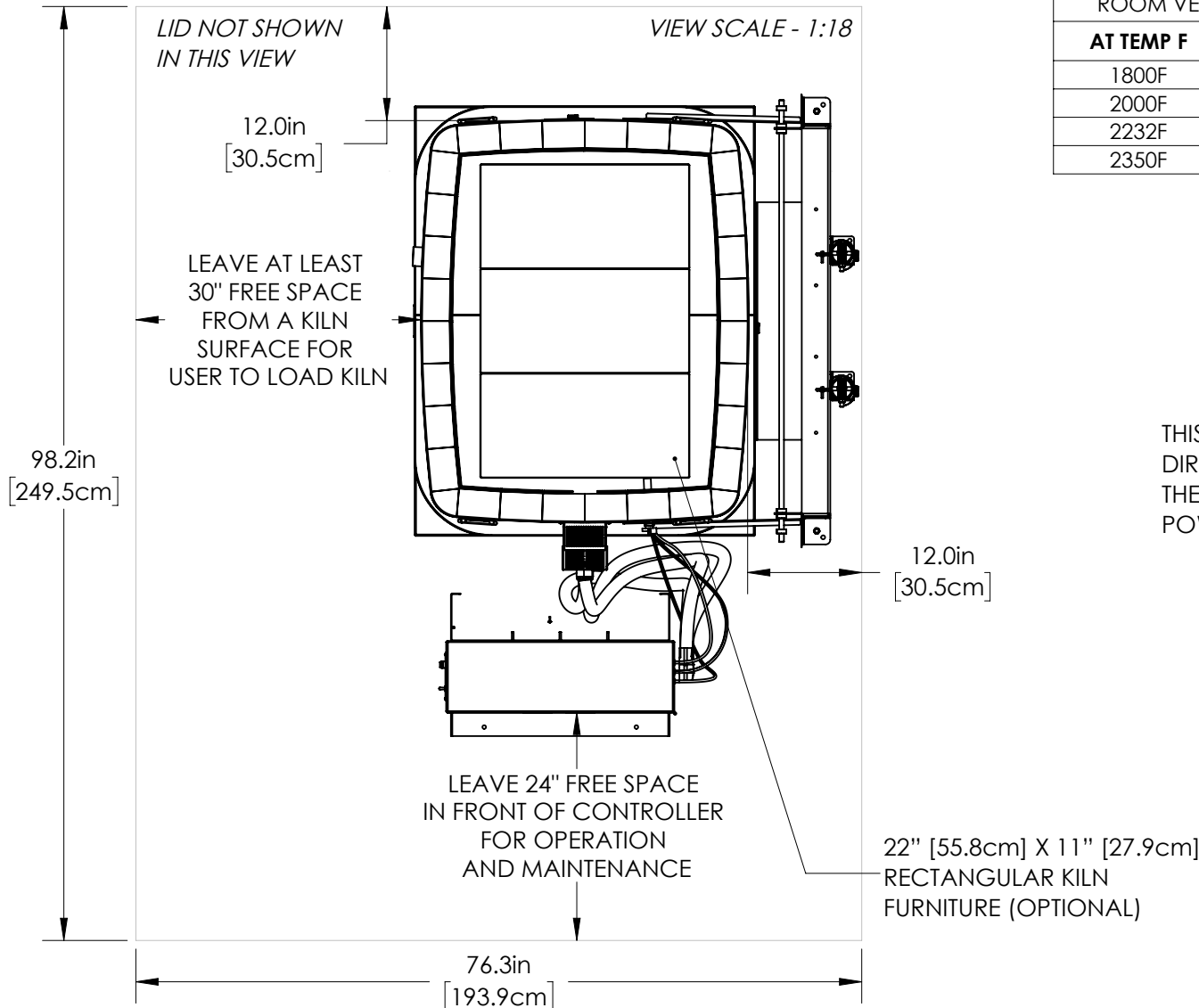


- WALL/KILN SPACING:** 12" [30.5cm] SPACING BETWEEN SIDES OF KILN AND WALLS OR OTHER OBJECTS. 18" [45.7cm] IS RECOMMENDED. LEAVE AT LEAST 18" [45.7cm] BETWEEN TWO KILNS.
- AMBIENT VENTILATION:** SEE CHART TO RIGHT FOR RATINGS. TO CALCULATE REQUIREMENTS, SEE hotkilns.com/calculate-kiln-room-ventilation.
- KILN VENTILATION:** L&L VENT-SURE KILN VENT RECOMMENDED FOR SAFETY AND LONGER ELEMENT LIFE. OPTIONAL CONTROL ALLOWS VENT TO BE TURNED ON AND OFF WITH CONTROL.

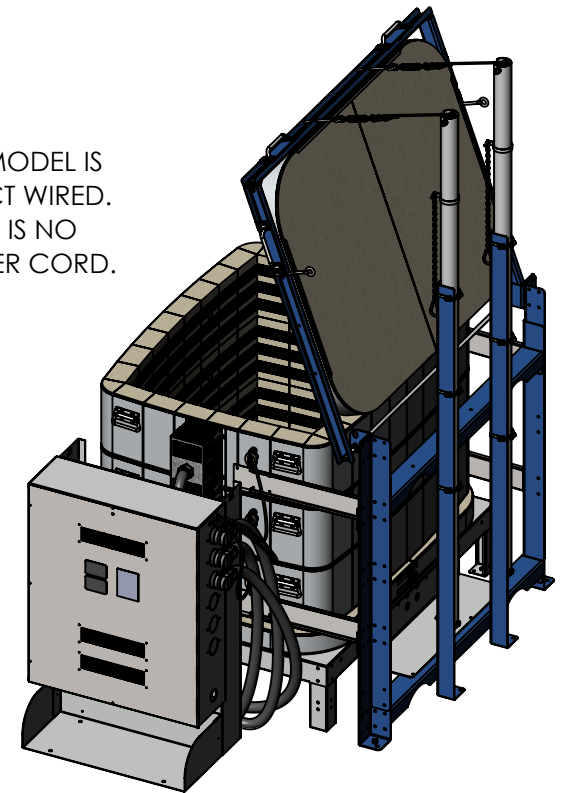
- OTHER INFO:** REFER TO INSTALLATION INSTRUCTIONS AND CAUTIONS INSTRUCTIONS FOR OTHER REQUIREMENTS AND SAFETY INFORMATION. REFER TO WIRING DIAGRAM FOR ELECTRICAL HOOKUP INFORMATION.
- MAX LOAD WEIGHT:** SEE hotkilns.com/load-weight.
- WEIGHT OF KILN:** 885 LBS, 401 KG

BTUS/ KILOJOULES PER HOUR NEEDED TO BE VENTED WITH AMBIENT ROOM VENTILATION (THIS IS IN ADDITION TO KILN VENTING):

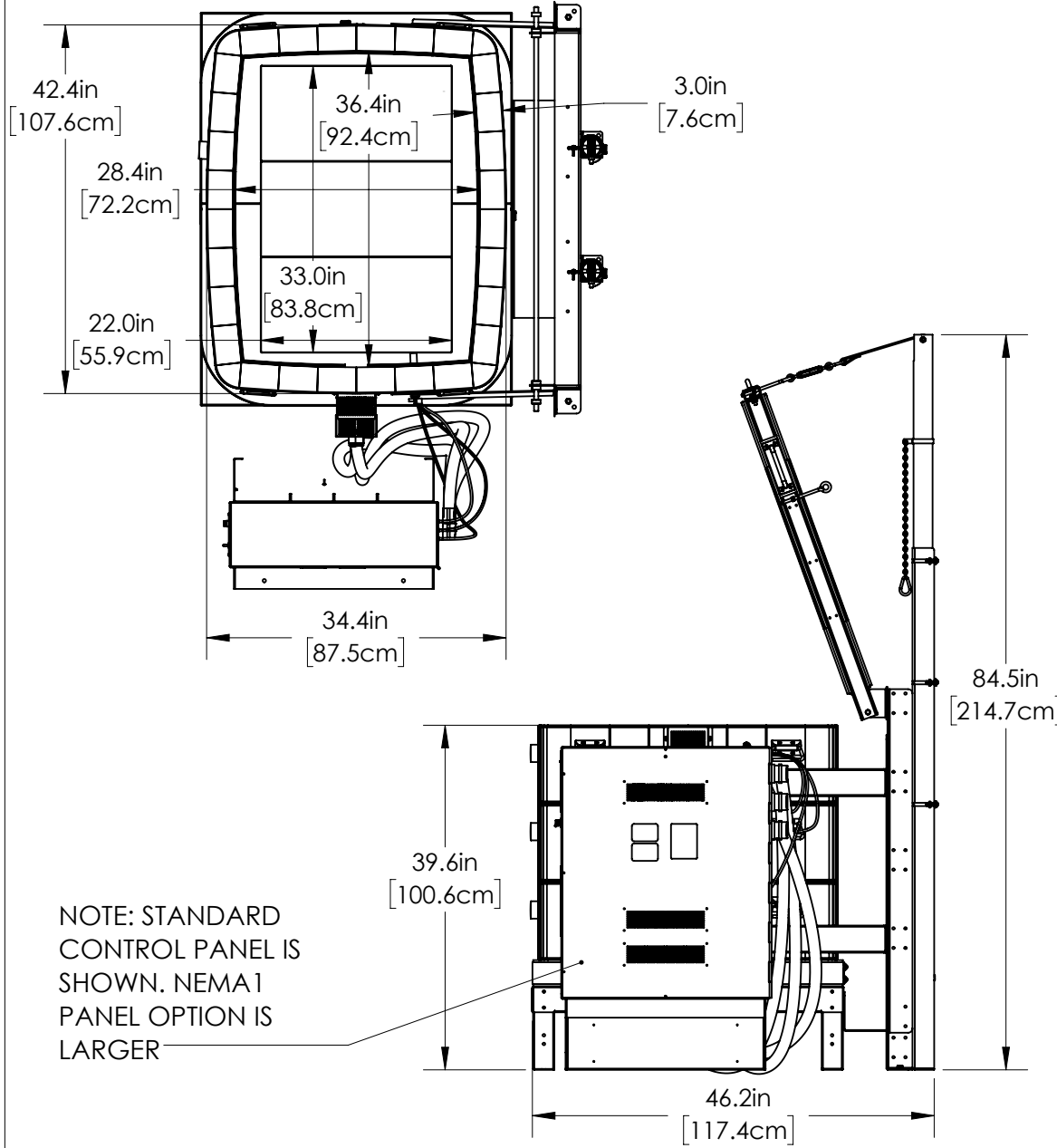
AT TEMP F	BTUS	AT TEMP C	KILOJOULES
1800F	21623	980C	22814
2000F	25279	1095C	26671
2232F	29849	1222C	31493
2350F	32307	1285C	34086



THIS MODEL IS DIRECT WIRED. THERE IS NO POWER CORD.

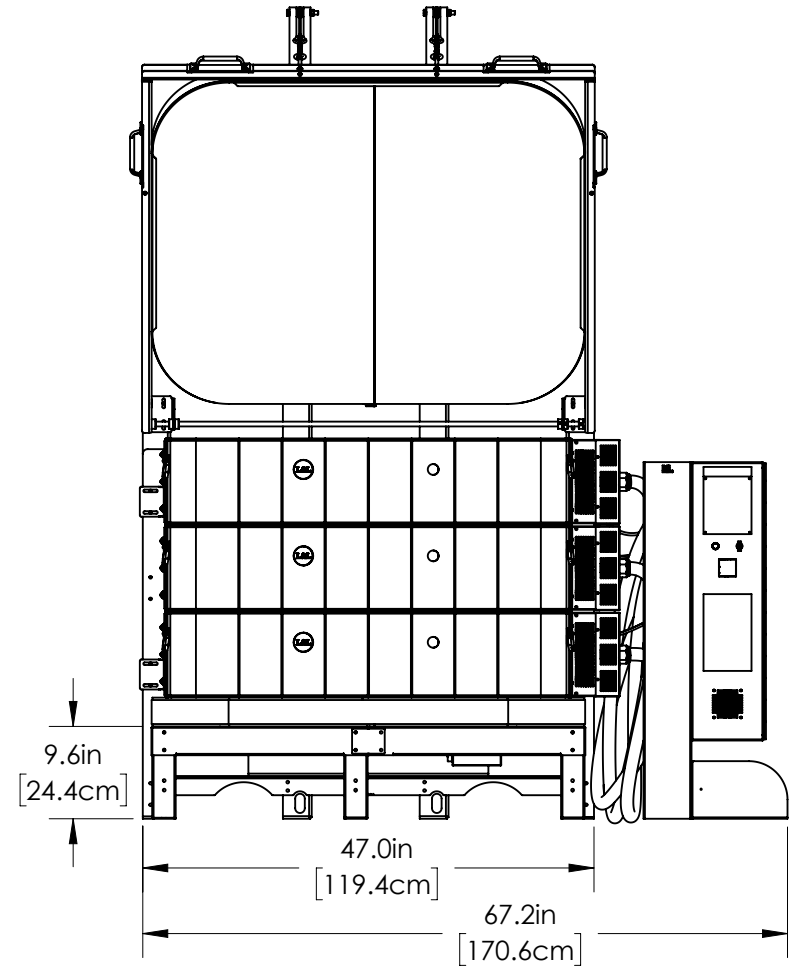


LID NOT SHOWN
IN THIS VIEW



NOTE: STANDARD
CONTROL PANEL IS
SHOWN. NEMA 1
PANEL OPTION IS
LARGER

EXPANDABILITY: THIS MODEL CAN BE EXPANDED
TO A T2336 OR T2345 BY ADDING ONE OR TWO
SECTIONS AND ADDING CORRESPONDING
CIRCUITS IN THE CONTROL PANEL.



MADE FROM NEW	DRAWN BY S JL	DATE 04/15/20	SCALE 1:20	TITLE T2327-D (3" BRICK) DAVINCI GENERAL DIMENSIONS		505 SHARPTOWN RD SWEDESBORO NJ 08085 PH: (856) 294-0077 FAX: (856) 294-0070	REV 0	SHEET OF 2/3	DRAWING NO. 300-000-50-3
------------------	------------------	------------------	---------------	--------------------------------------------------------	---------------------------------------------------------------------------------------	--------------------------------------------------------------------------------------	----------	-----------------	-----------------------------

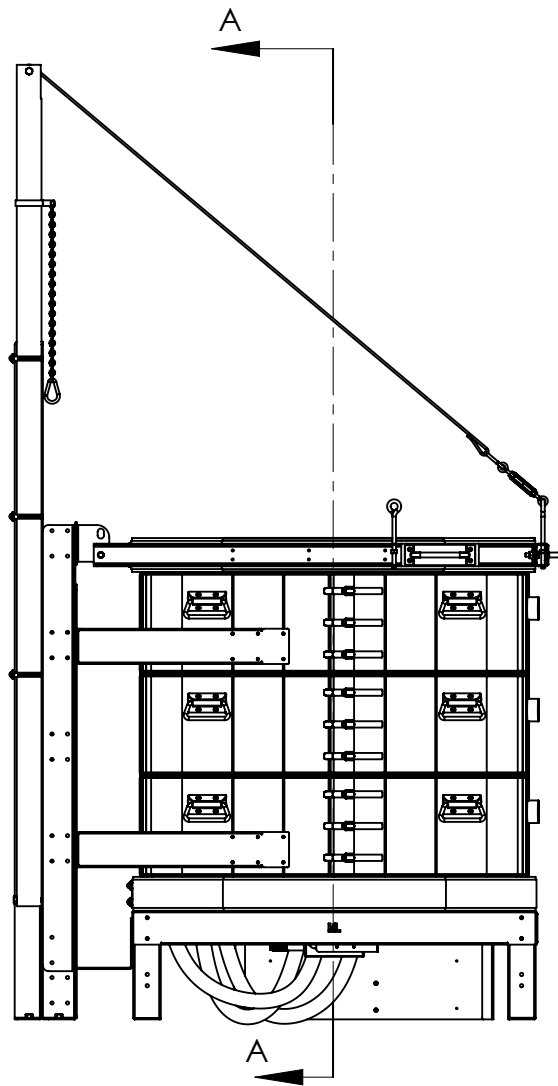
5

4

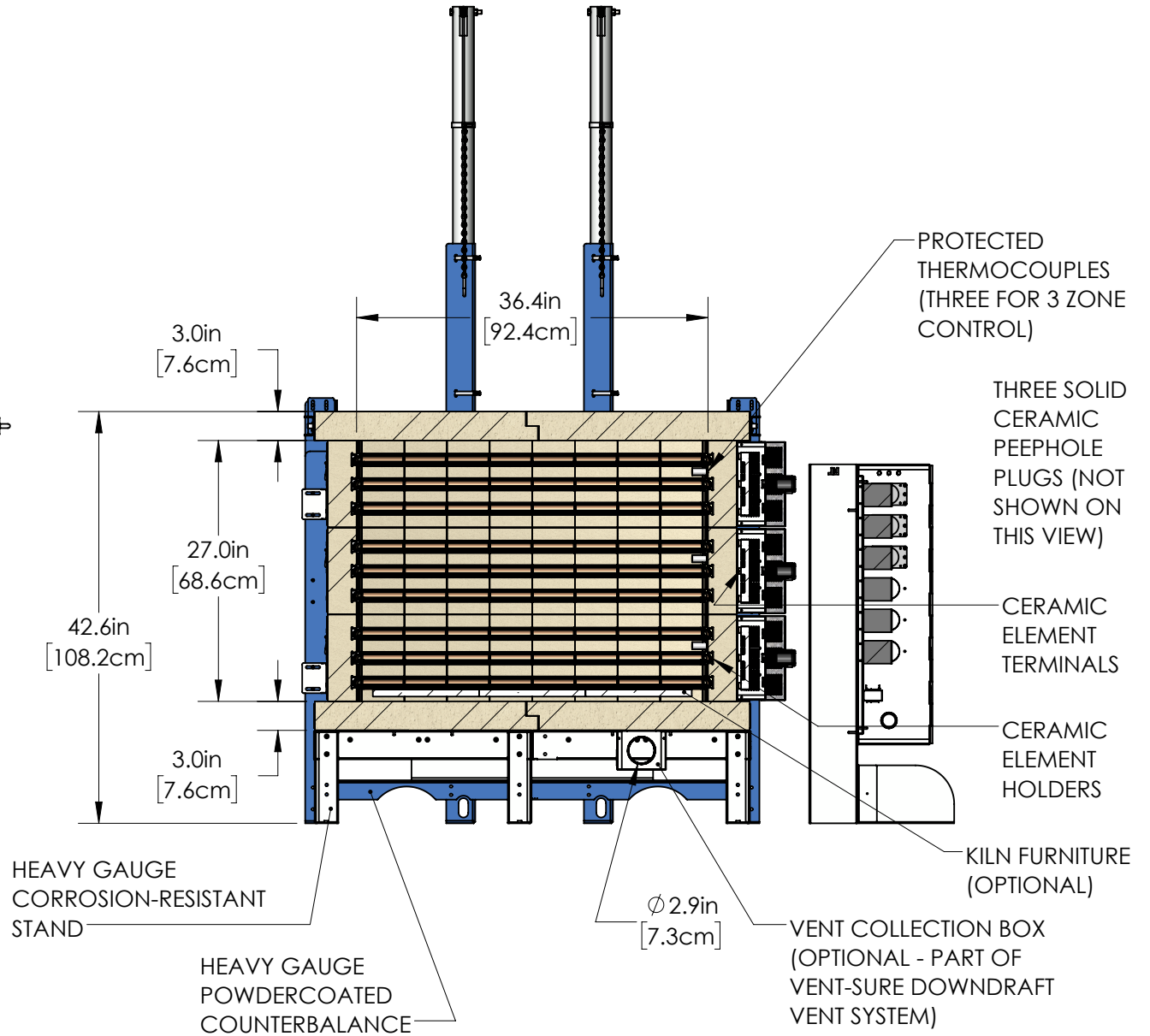
3

2

1



SECTION A-A



OPTIONAL FURNITURE KIT: (9) 22" [55.8cm] X 11" [27.9cm] RECTANGULAR SHELVES, (6) EACH 1/2", 1", 2", 4", 6" & 8" SQUARE POSTS

MADE FROM NEW	DRAWN BY SJL	DATE 04/15/20	SCALE 1:17	TITLE T2327-D (3" BRICK) DAVINCI GENERAL DIMENSIONS	LKilns hotkilns.com	505 SHARPTOWN RD SWEDESBORO NJ 08085 PH: (856) 294-0077 FAX: (856) 294-0070	REV 0	SHEET OF 3/3	DRAWING NO. 300-000-50-3
------------------	-----------------	------------------	---------------	--------------------------------------------------------	-------------------------------	--------------------------------------------------------------------------------------	----------	-----------------	-----------------------------