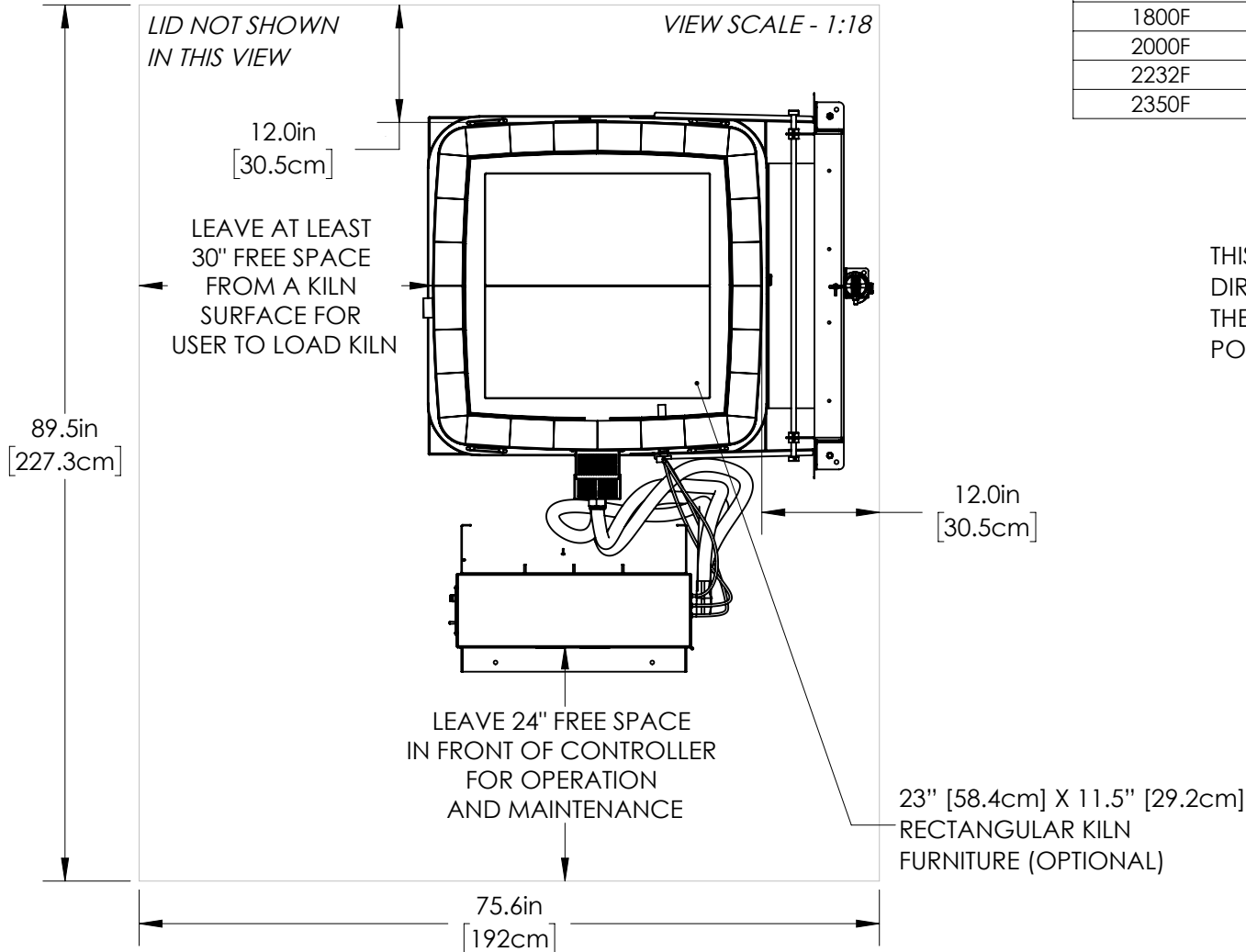


- WALL/KILN SPACING:** 12" [30.5cm] SPACING BETWEEN SIDES OF KILN AND WALLS OR OTHER OBJECTS. 18" [45.7cm] IS RECOMMENDED. LEAVE AT LEAST 18" [45.7cm] BETWEEN TWO KILNS.
- AMBIENT VENTILATION:** SEE CHART TO RIGHT FOR RATINGS. TO CALCULATE REQUIREMENTS, SEE [hotkilns.com/calculate-kiln-room-ventilation](http://hotkilns.com/calculate-kiln-room-ventilation).
- KILN VENTILATION:** L&L VENT-SURE KILN VENT RECOMMENDED FOR SAFETY AND LONGER ELEMENT LIFE. OPTIONAL CONTROL ALLOWS VENT TO BE TURNED ON AND OFF WITH CONTROL.

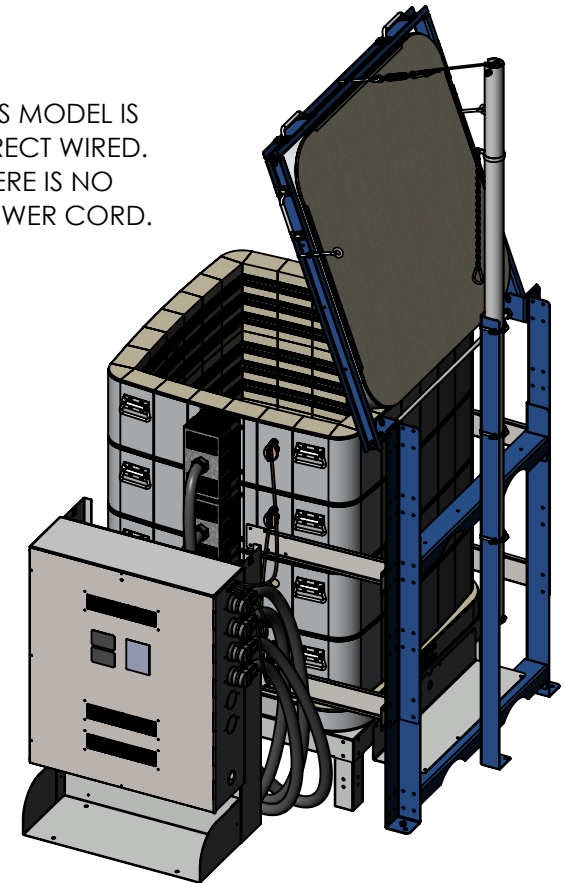
- OTHER INFO:** REFER TO INSTALLATION INSTRUCTIONS AND CAUTIONS INSTRUCTIONS FOR OTHER REQUIREMENTS AND SAFETY INFORMATION. REFER TO WIRING DIAGRAM FOR ELECTRICAL HOOKUP INFORMATION.
- MAX LOAD WEIGHT:** SEE [hotkilns.com/load-weight](http://hotkilns.com/load-weight).
- WEIGHT OF KILN:** 810 LBS, 367 KG

BTUS/ KILOJOULES PER HOUR NEEDED TO BE VENTED WITH AMBIENT ROOM VENTILATION (THIS IS IN ADDITION TO KILN VENTING):

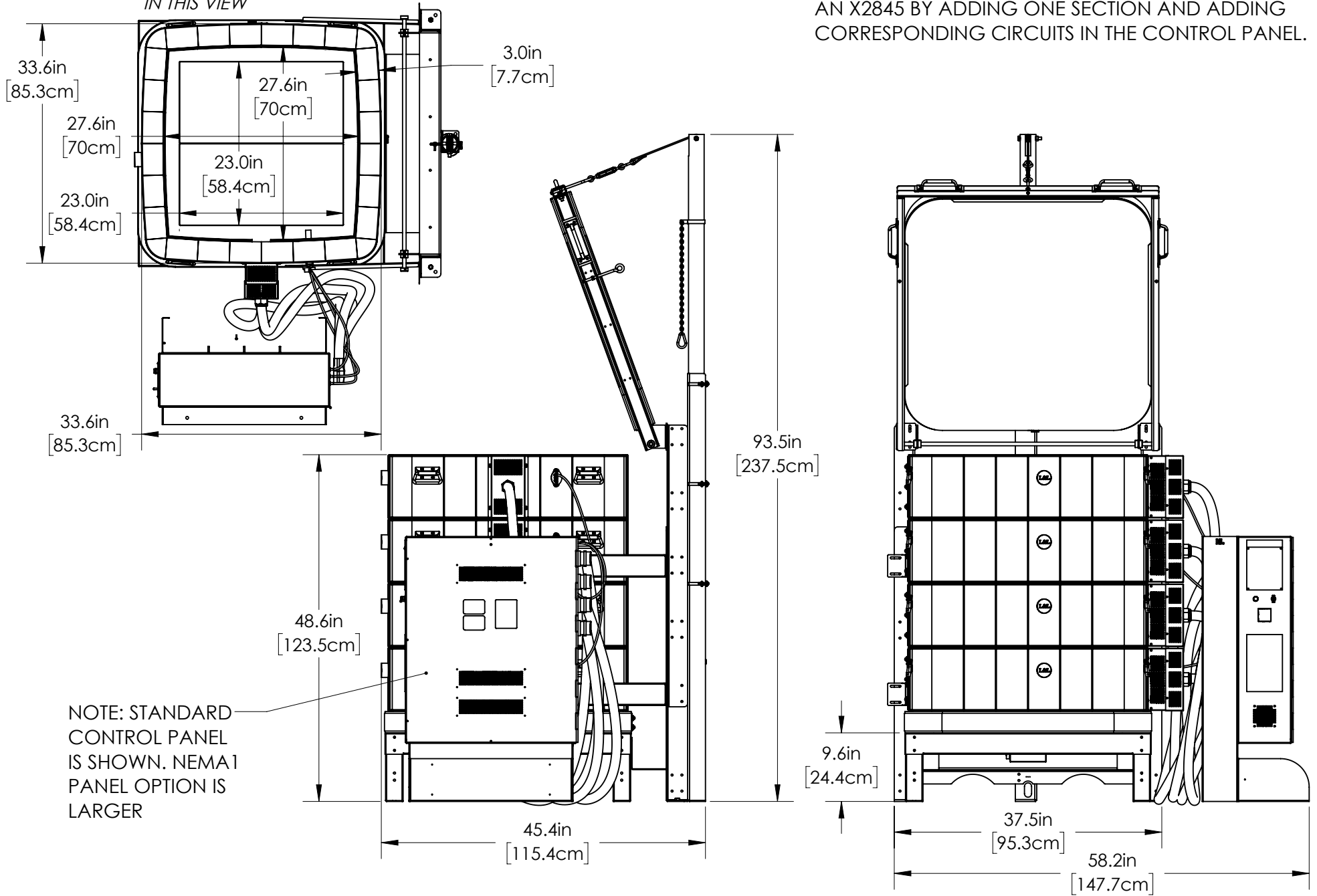
AT TEMP F	BTUS	AT TEMP C	KILOJOULES
1800F	21945	980C	23153
2000F	25654	1095C	27066
2232F	30290	1222C	31958
2350F	32783	1285C	34588



THIS MODEL IS DIRECT WIRED. THERE IS NO POWER CORD.



LID NOT SHOWN  
IN THIS VIEW



EXPANDABILITY: THIS MODEL CAN BE EXPANDED TO AN X2845 BY ADDING ONE SECTION AND ADDING CORRESPONDING CIRCUITS IN THE CONTROL PANEL.

NOTE: STANDARD CONTROL PANEL IS SHOWN. NEMA 1 PANEL OPTION IS LARGER

MADE FROM NEW	DRAWN BY S JL	DATE 04/15/20	SCALE 1:18	TITLE X2836-D (3" BRICK) DAVINCI GENERAL DIMENSIONS	<b>LKilns</b> hotkilns.com	505 SHARPTOWN RD SWEDESBORO NJ 08085 PH: (856) 294-0077 FAX: (856) 294-0070	REV 0	SHEET OF 2/3	DRAWING NO. 300-000-30-4
------------------	------------------	------------------	---------------	--	-------------------------------	--	----------	-----------------	-----------------------------

5

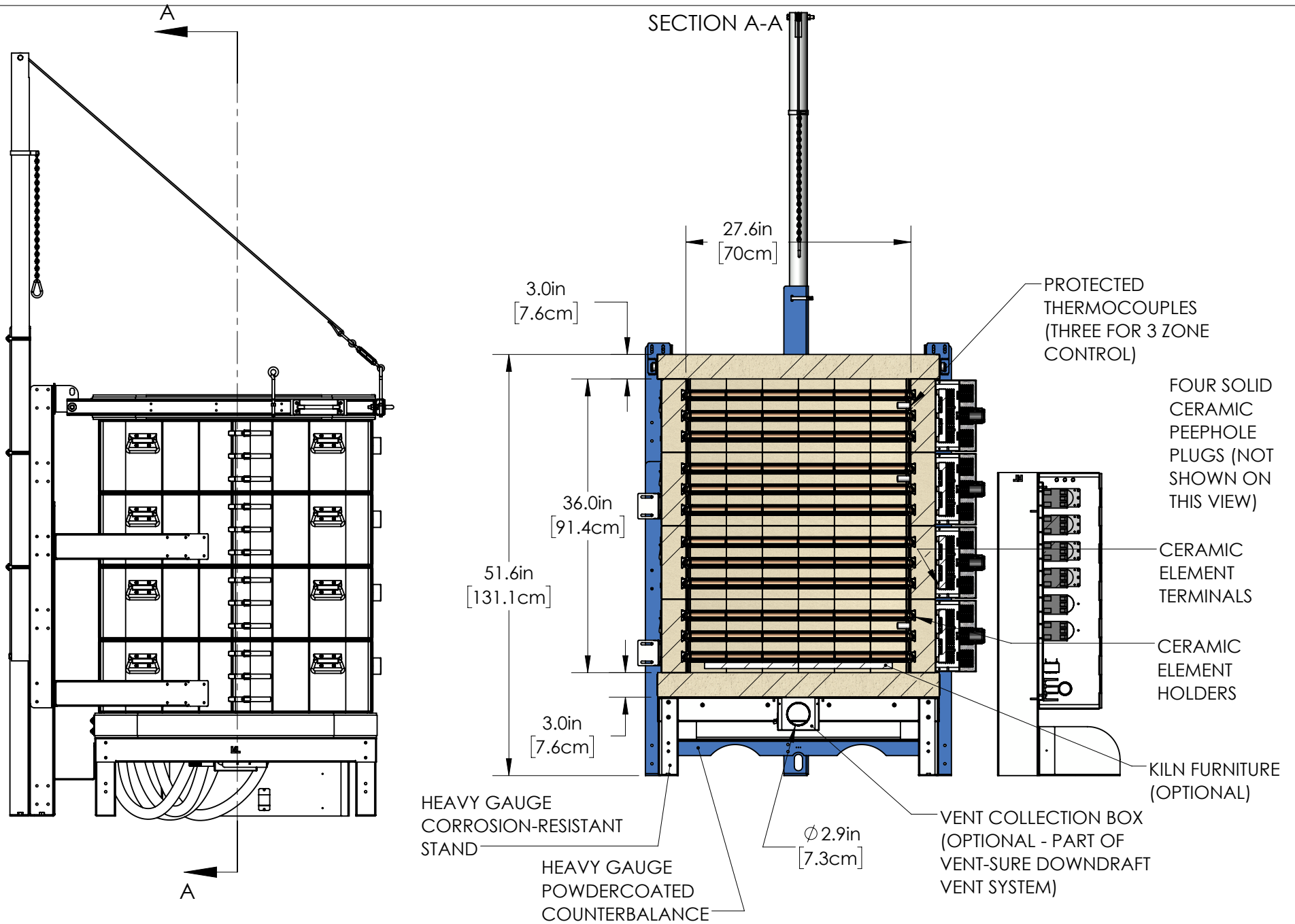
4

3

2

1

SECTION A-A



OPTIONAL FURNITURE KIT: (8) 23" [58.4cm] X 11.5" [29.2cm] RECTANGULAR SHELVES, (12) EACH 1/2", 1", 2", 4", 6" & 8" SQUARE POSTS

MADE FROM NEW	DRAWN BY SJL	DATE 04/15/20	SCALE 1:16	TITLE X2836-D (3" BRICK) DAVINCI GENERAL DIMENSIONS	<b>LKilns</b> hotkilns.com	505 SHARPTOWN RD SWEDESBORO NJ 08085 PH: (856) 294-0077 FAX: (856) 294-0070	REV 0	SHEET OF 3/3	DRAWING NO. 300-000-30-4
------------------	-----------------	------------------	---------------	--	-------------------------------	--	----------	-----------------	-----------------------------