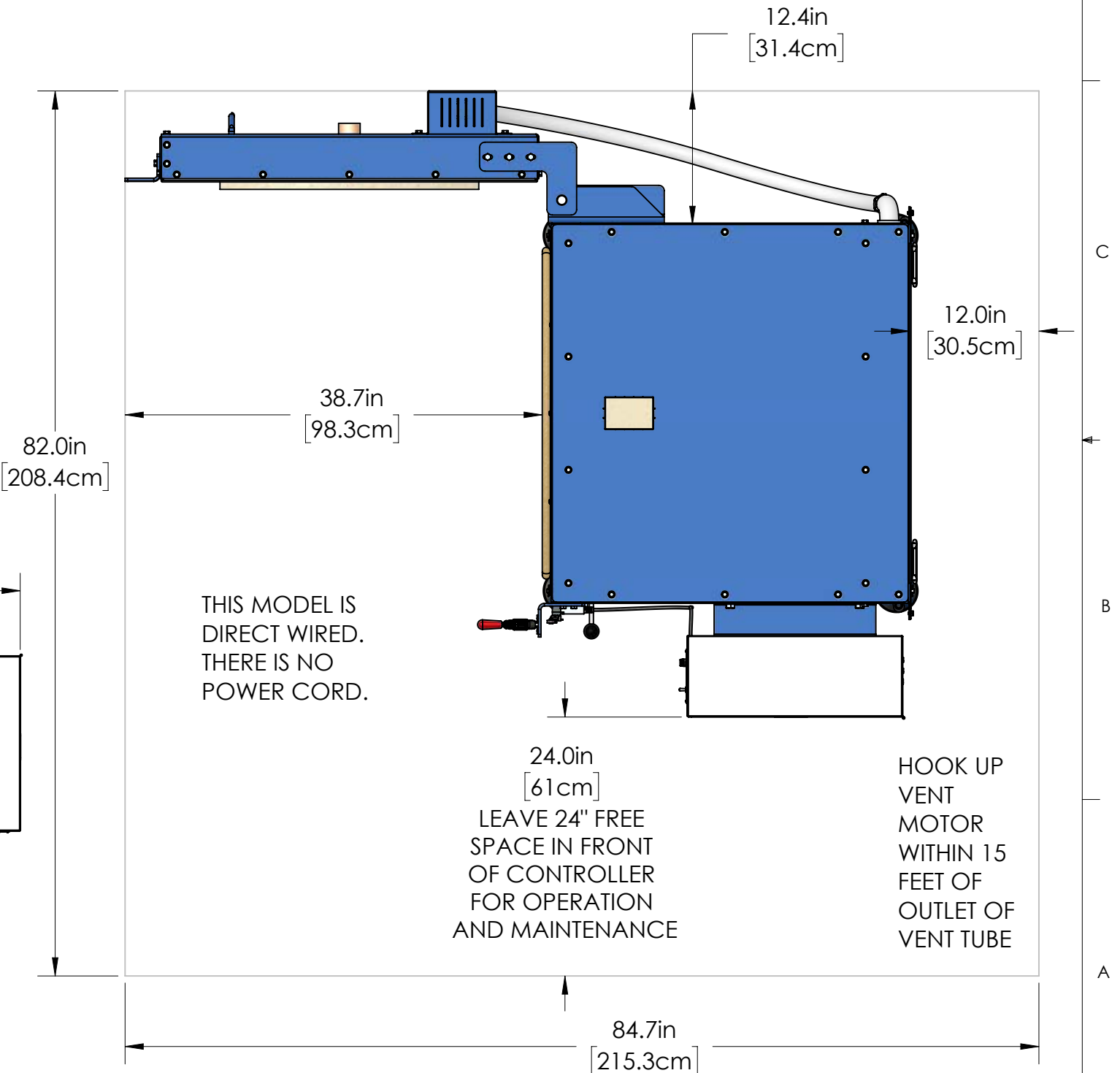
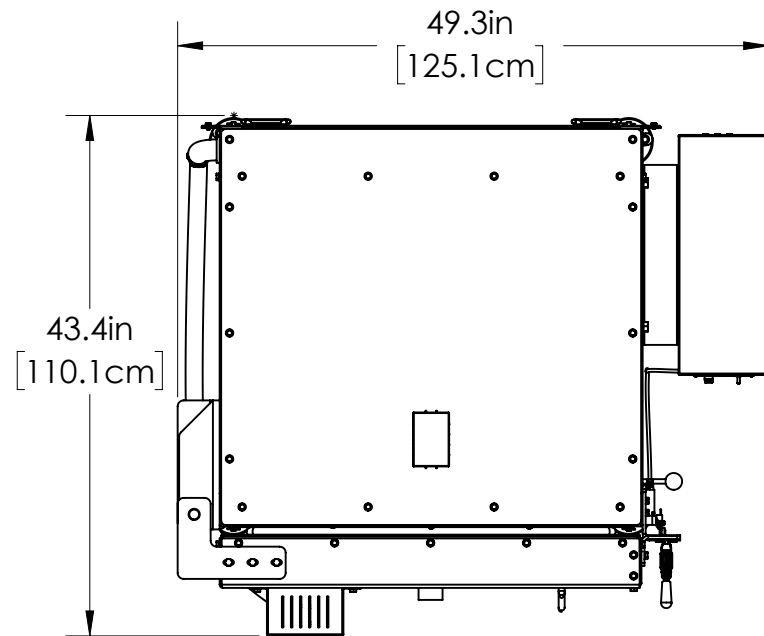
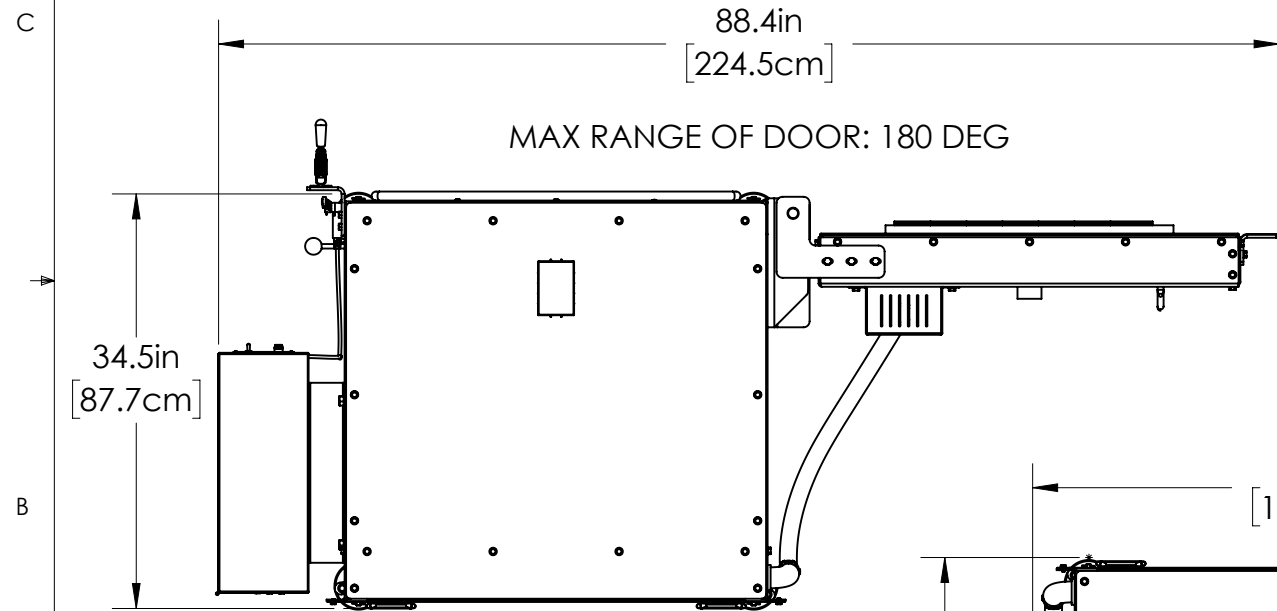


1. **WALL/KILN SPACING:** 12" [30.5cm] SPACING BETWEEN SIDES OF KILN AND WALLS OR OTHER OBJECTS. 18" [45.7cm] IS RECOMMENDED. LEAVE AT LEAST 18" [45.7cm] BETWEEN TWO KILNS.
2. **AMBIENT VENTILATION:** TO CALCULATE REQUIREMENTS, SEE [hotkilns.com/calculate-kiln-room-ventilation](http://hotkilns.com/calculate-kiln-room-ventilation).
3. **KILN VENTILATION:** L&L VENT-SURE KILN VENT RECOMMENDED FOR SAFETY AND LONGER ELEMENT LIFE. OPTIONAL CONTROL ALLOWS VENT TO BE TURNED ON AND OFF WITH CONTROL.
4. **OTHER INFO:** REFER TO INSTALLATION INSTRUCTIONS AND CAUTIONS INSTRUCTIONS FOR OTHER REQUIREMENTS AND SAFETY INFORMATION. REFER TO WIRING DIAGRAM FOR ELECTRICAL HOOKUP INFORMATION.
5. **MAX LOAD WEIGHT:** SEE [hotkilns.com/load-weight](http://hotkilns.com/load-weight).
6. **WEIGHT OF KILN:** 1555 LBS [705 KG]
7. **WEIGHT OF KILN WITHOUT DOOR:** 1245 LBS [565 KG]
8. **WEIGHT OF DOOR:** 310 LBS [141 KG]

- TO MOVE KILN THROUGH A NOMINAL 36" DOOR:**
1. REMOVE DOOR CLAMPS/BRACKETS FROM CASE
  2. TURN KILN SIDWAYS



## CLEARANCES, LAYOUT & INSTALLATION

THE INFORMATION CONTAINED IN THIS DRAWING IS THE SOLE PROPERTY OF L&L KILN MFG INC. ANY REPRODUCTION IN PART OR AS A WHOLE WITHOUT THE WRITTEN PERMISSION OF L&L KILN MFG INC. IS PROHIBITED.

DRAWN BY: DSL  
DATE: 04/15/20  
SCALE: 1:13  
TITLE:

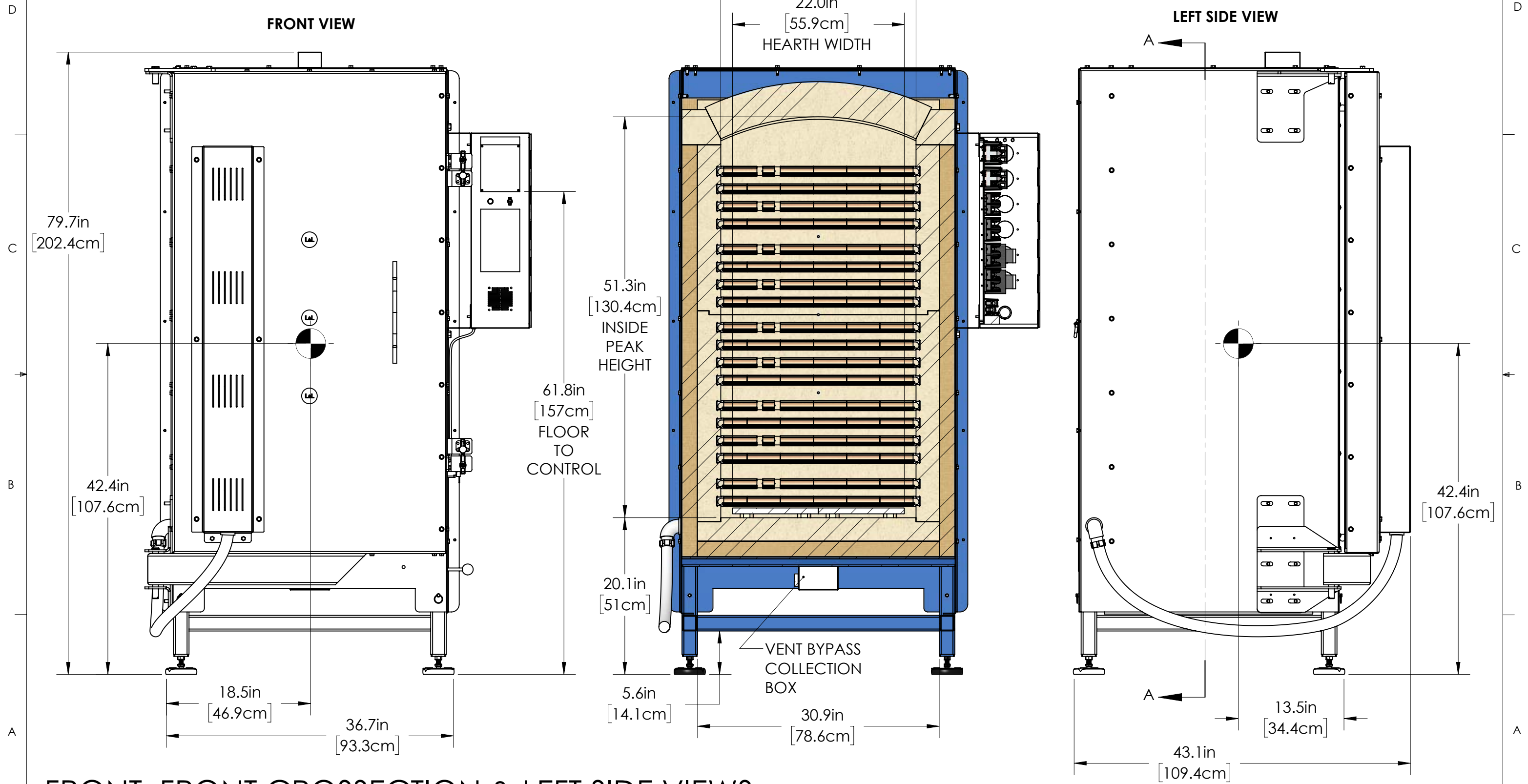
EL2448 (3" BRICK) GENERAL DIMENSIONS

**L&L Kilns**  
hotkilns.com

505 SHARPTOWN RD  
SWEDESBORO NJ 08085  
PH: (856) 294-0077  
FAX: (856) 294-0070

REV: B  
SHEET OF: 1/4  
DRAWING NO.: 10000-4

CENTER OF MASS IS SHOWN WITH ROUND CROSS SYMBOLS. KILN COULD TIP OVER IF CENTER OF MASS BECOMES VERTICAL ABOVE ONE EDGE OF KILN BASE. THIS COULD CAUSE SERIOUS INJURY.



FRONT, FRONT CROSSECTION & LEFT SIDE VIEWS

THE INFORMATION CONTAINED IN THIS DRAWING IS THE SOLE PROPERTY OF L&L KILN MFG INC. ANY REPRODUCTION IN PART OR AS A WHOLE WITHOUT THE WRITTEN PERMISSION OF L&L KILN MFG INC. IS PROHIBITED.

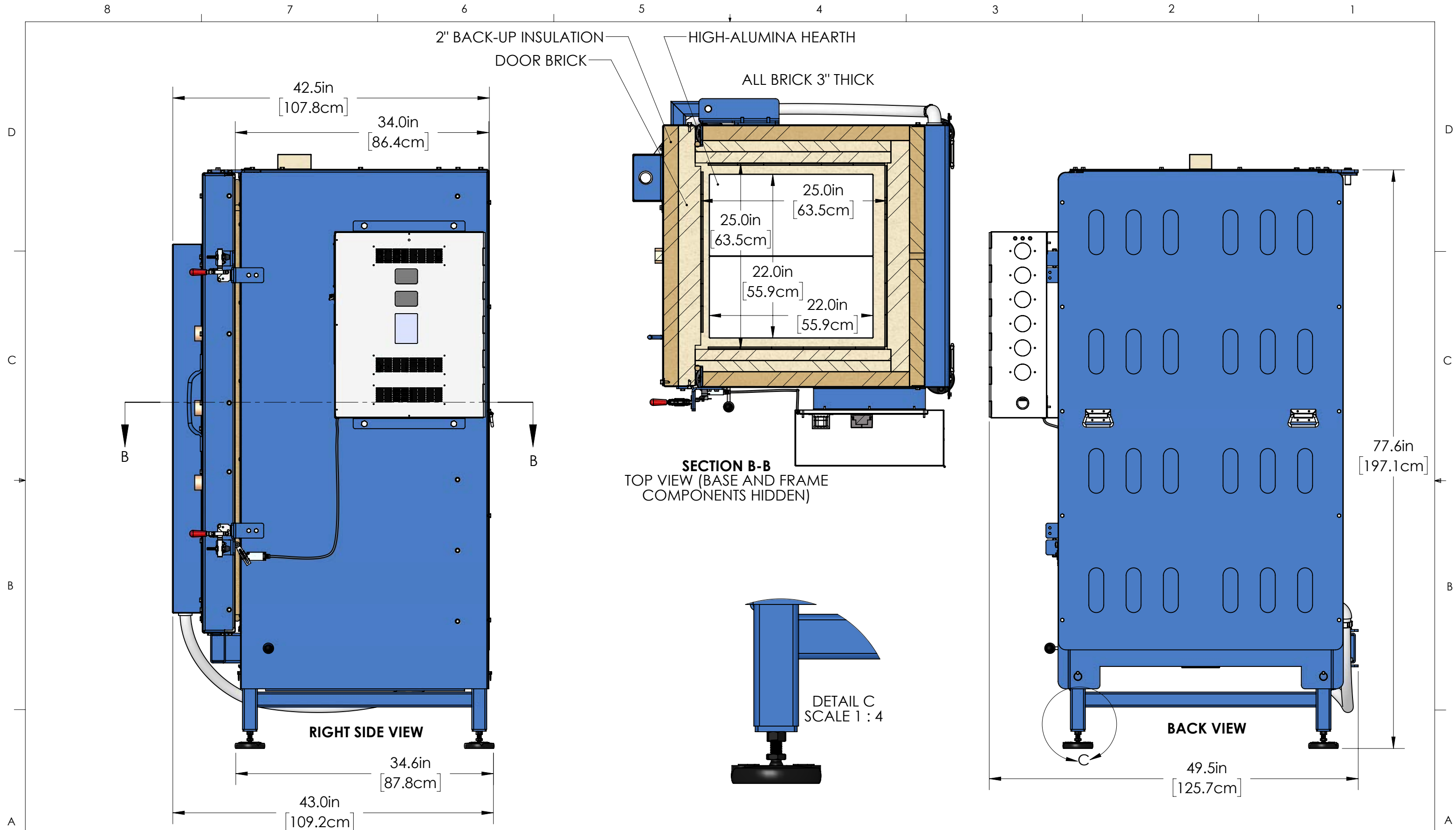
DRAWN BY: DSL  
 DATE: 04/15/20  
 SCALE: 1:12  
 TITLE:

EL2448 (3" BRICK) GENERAL DIMENSIONS



PH: (856) 294-0077  
 FAX: (856) 294-0070

REV: B  
 SHEET OF: 2/4  
 DRAWING NO.: 10000-4



# RIGHT SIDE, TOP CROSS-SECTION, AND BACK VIEWS

THE INFORMATION CONTAINED IN THIS DRAWING IS THE SOLE PROPERTY OF L&L KILN MFG INC. ANY REPRODUCTION IN PART OR AS A WHOLE WITHOUT THE WRITTEN PERMISSION OF L&L KILN MFG INC. IS PROHIBITED.

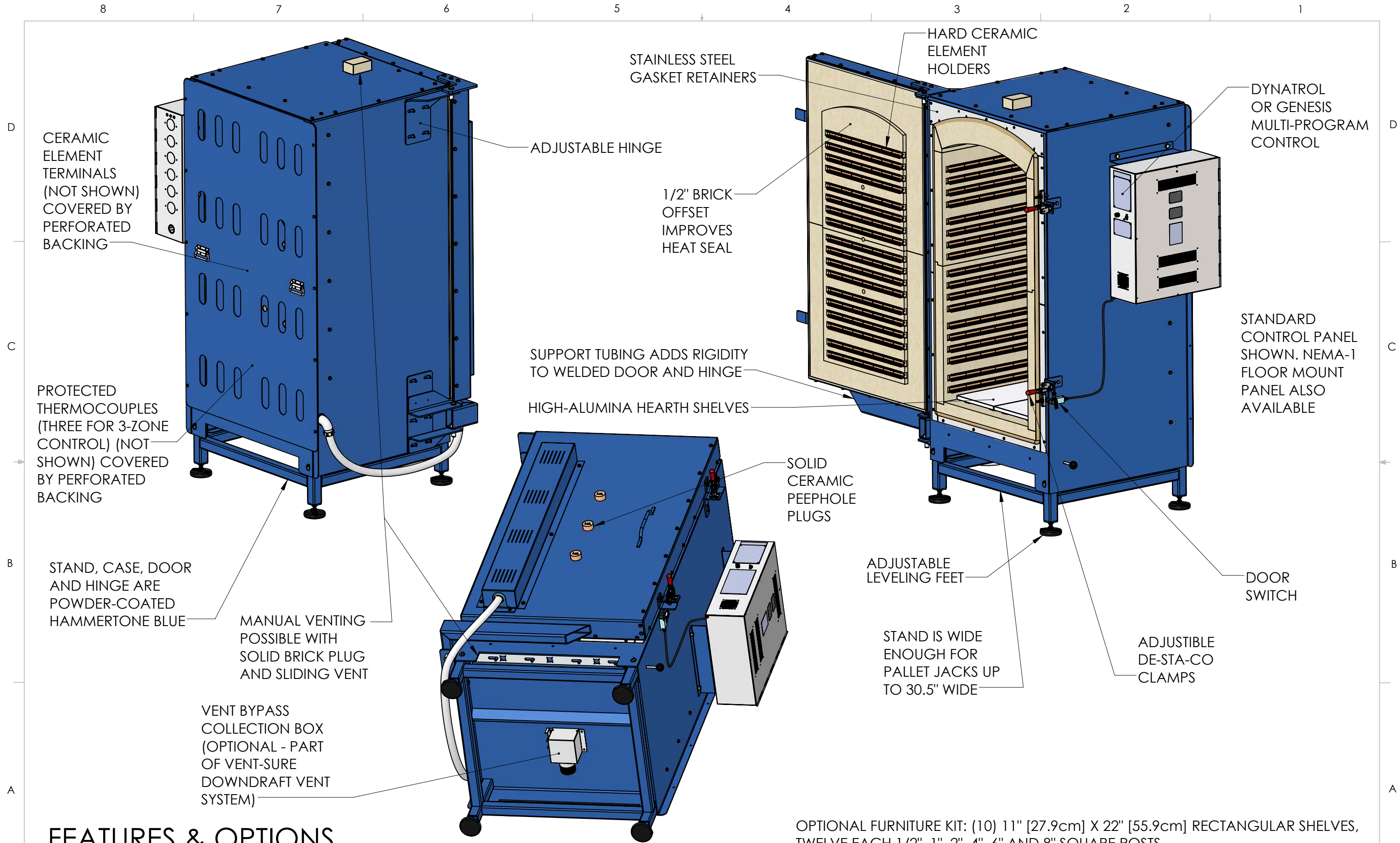
DRAWN BY: DSL  
DATE: 04/15/20  
SCALE: 1:12

TITLE: EL2448 (3" BRICK) GENERAL DIMENSIONS



PH: (856) 294-0077  
FAX: (856) 294-0070

REV: B  
SHEET OF: 3/4  
DRAWING NO.: 10000-4



# FEATURES & OPTIONS

OPTIONAL FURNITURE KIT: (10) 11" [27.9cm] X 22" [55.9cm] RECTANGULAR SHELVES, TWELVE EACH 1/2", 1", 2", 4", 6" AND 8" SQUARE POSTS

THE INFORMATION CONTAINED IN THIS DRAWING IS THE SOLE PROPERTY OF L&L KILN MFG INC. ANY REPRODUCTION IN PART OR AS A WHOLE WITHOUT THE WRITTEN PERMISSION OF L&L KILN MFG INC. IS PROHIBITED.

DRAWN BY: DSL  
 DATE: 04/15/20  
 SCALE: 1:16  
 TITLE:

EL2448 (3" BRICK) GENERAL DIMENSIONS



PH: (856) 294-0077  
 FAX: (856) 294-0070

REV: B  
 SHEET OF: 4/4  
 DRAWING NO.: 10000-4